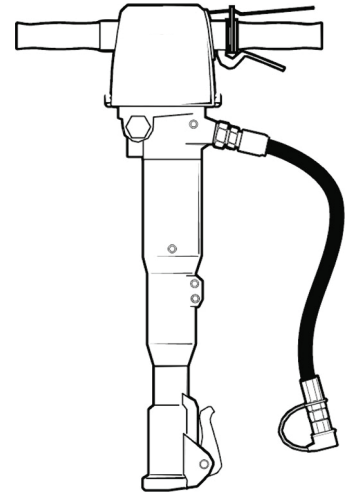


## Spare parts list

### Handheld hydraulic breakers





# Contents

General information.....	5
Spare parts list.....	6
LH 270, 280 E.....	6
LH 270 HBP, 280 E HBP.....	10
Nose parts.....	14
Handle standard.....	18
E-handle.....	20
Tightening torque.....	22
Working tools.....	23
US standard hexagon 1 $\frac{1}{8}$ x 6 in. (28 x 152 mm).....	23
US standard hexagon 1 $\frac{1}{8}$ x 6 $\frac{1}{4}$ in. (28 x 160 mm).....	24
US standard hexagon 1 $\frac{1}{4}$ x 6 in. (32 x 152 mm).....	25
US standard hexagon 1 $\frac{1}{4}$ x 6 $\frac{1}{4}$ in. (32 x 160 mm).....	26
ISO standard hexagon 28 x 152 mm (1 $\frac{1}{8}$ x 6 in.).....	27
ISO standard hexagon 28 x 160 mm (1 $\frac{1}{8}$ x 6 $\frac{1}{4}$ in.).....	28
ISO standard hexagon 32 x 152 mm (1 $\frac{1}{4}$ x 6 in.).....	29
ISO standard hexagon 32 x 160 mm (1 $\frac{1}{4}$ x 6 $\frac{1}{4}$ in.).....	30
Accessories.....	31
Hoses and couplings.....	31
Kits.....	32
Label kit.....	32
Seal kit.....	33
Trigger valve kit.....	34
Accumulator kit.....	35



## General information

This spare parts list applies to the following:

Part number	Description
1801 3643 56	Handheld hydraulic breaker LH 270 28 x 152 mm (1 $\frac{1}{8}$ x 6 in.)
1801 3643 57	Handheld hydraulic breaker LH 270 28 x 160 mm (1 $\frac{1}{8}$ x 6 $\frac{1}{4}$ in.)
1801 3643 58	Handheld hydraulic breaker LH 270 32 x 152 mm (1 $\frac{1}{4}$ x 6 in.)
1801 3643 59	Handheld hydraulic breaker LH 270 32 x 160 mm (1 $\frac{1}{4}$ x 6 $\frac{1}{4}$ in.)
1801 3646 97	Handheld hydraulic breaker LH 270 HBP 28 x 152 mm (1 $\frac{1}{8}$ x 6 in.)
1801 3646 98	Handheld hydraulic breaker LH 270 HBP 28 x 160 mm (1 $\frac{1}{8}$ x 6 $\frac{1}{4}$ in.)
1801 3646 99	Handheld hydraulic breaker LH 270 HBP 32 x 152 mm (1 $\frac{1}{4}$ x 6 in.)
1801 3647 00	Handheld hydraulic breaker LH 270 HBP 32 x 160 mm (1 $\frac{1}{4}$ x 6 $\frac{1}{4}$ in.)
1801 3643 60	Handheld hydraulic breaker LH 280 E 28 x 152 mm (1 $\frac{1}{8}$ x 6 in.)
1801 3643 61	Handheld hydraulic breaker LH 280 E 28 x 160 mm (1 $\frac{1}{8}$ x 6 $\frac{1}{4}$ in.)
1801 3643 62	Handheld hydraulic breaker LH 280 E 32 x 152 mm (1 $\frac{1}{4}$ x 6 in.)
1801 3643 63	Handheld hydraulic breaker LH 280 E 32 x 160 mm (1 $\frac{1}{4}$ x 6 $\frac{1}{4}$ in.)
1801 3647 01	Handheld hydraulic breaker LH 280 E HBP 28 x 152 mm (1 $\frac{1}{8}$ x 6 in.)
1801 3647 02	Handheld hydraulic breaker LH 280 E HBP 28 x 160 mm (1 $\frac{1}{8}$ x 6 $\frac{1}{4}$ in.)
1801 3647 03	Handheld hydraulic breaker LH 280 E HBP 32 x 152 mm (1 $\frac{1}{4}$ x 6 in.)
1801 3647 04	Handheld hydraulic breaker LH 280 E HBP 32 x 160 mm (1 $\frac{1}{4}$ x 6 $\frac{1}{4}$ in.)

Use only authorized parts. Any damage or malfunction caused by the use of unauthorized parts is not covered by Warranty or Product Liability. Any unauthorized use or copying of the contents or any part thereof is prohibited. This applies in particular to trademarks, model denominations, part numbers, and drawings.

### Instructions for use

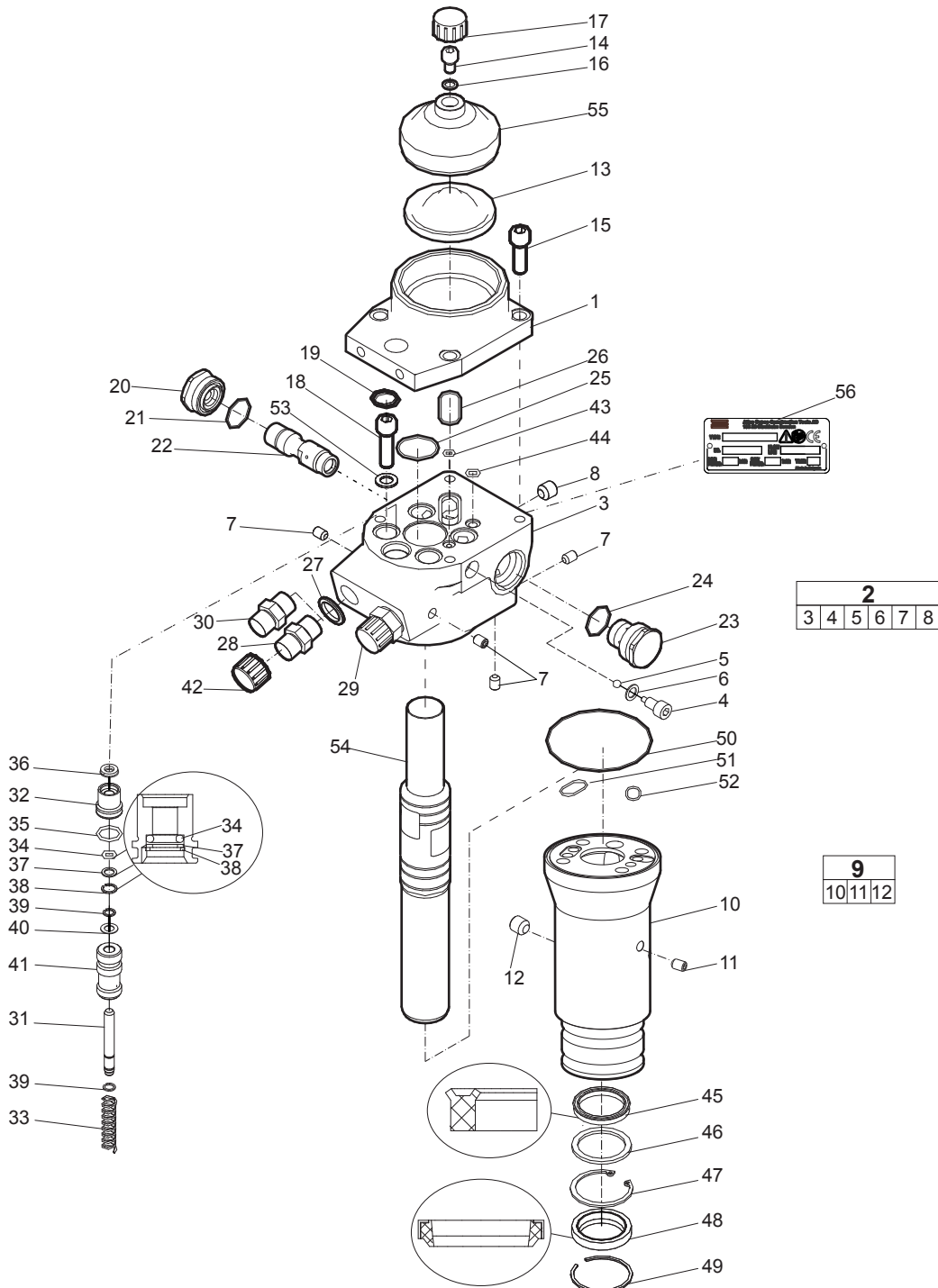
This spare parts list contains no safety regulations and is merely intended to assist in the ordering of spare parts.

For information about operating, servicing, or repairing, the relevant Safety and operating instructions must be consulted at all costs.

Please observe the safety instructions listed in the relevant Safety and operating instructions!

# Spare parts list

## LH 270, 280 E



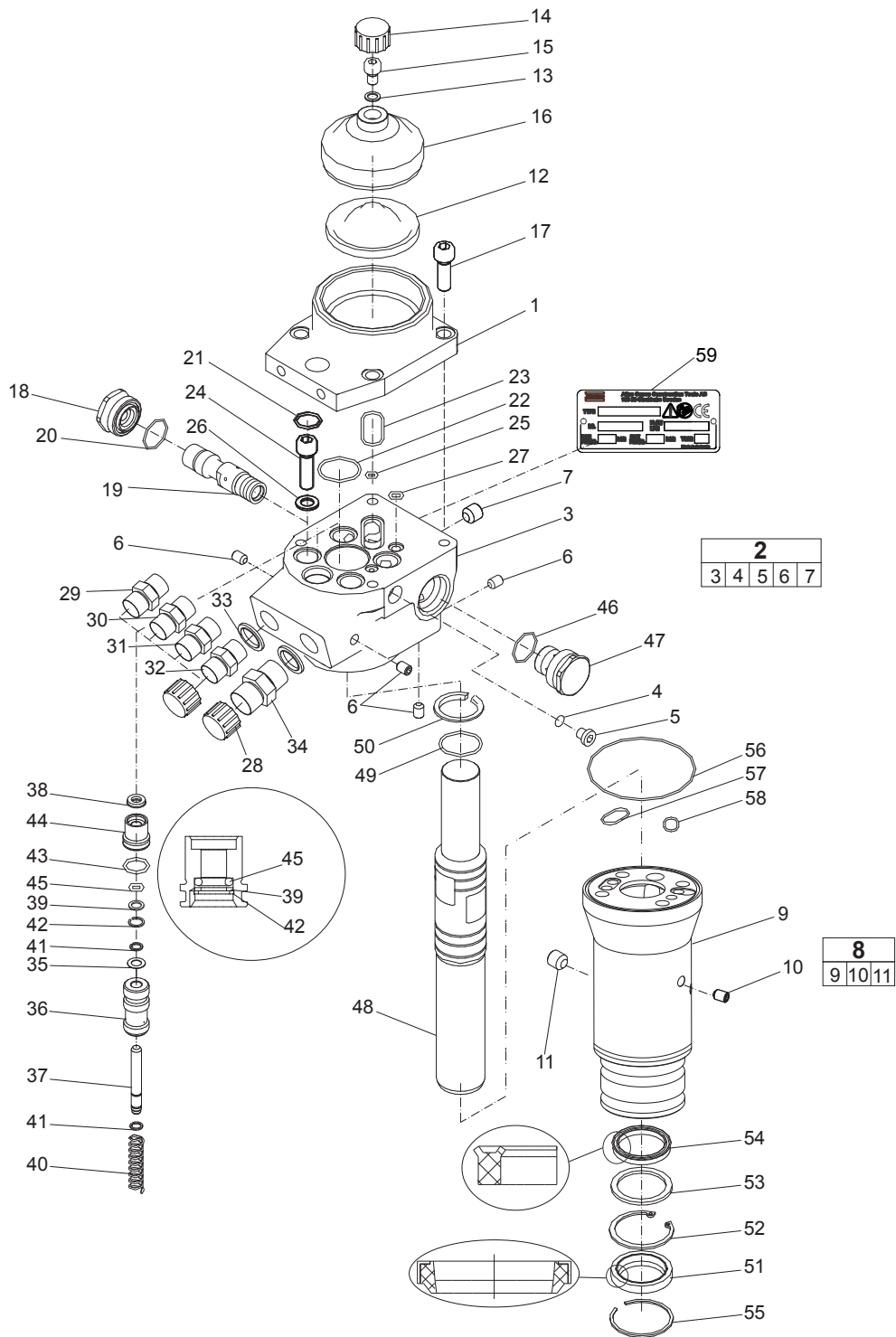
No.	Description	Remark	Quantity	Part number
1	Accumulator body		1	3371 8210 27
<b>2(3-8)</b>	<b>Valve housing, complete</b>		1	3371 8210 26
3	Valve housing		1	-
4	Check valve screw		1	3371 8201 15
5	Ball		1	3371 8207 17
6	Seal ring	Ø 0.35 x 0.55 x 0.04 in. Ø 9 x 14 x 1 mm	1	3371 8207 18
7	Fitting		5	3371 8147 33
8	Fitting		2	3371 8131 41
<b>9(10-12)</b>	<b>Cylinder, complete</b>		1	3371 8210 29
10	Cylinder		1	-
11	Fitting		1	3371 8147 33
12	Fitting		1	3371 8131 41
13	Diaphragm		1	3371 8140 52
14	Charging screw		1	3371 8131 03
15	Screw	M10 x 30 mm	4	3371 8177 20
16	Seal ring	Ø 0.34 x 0.51 x 0.04 in. Ø 8.7 x 13 x 1 mm	1	3371 8147 09
17	Protective cap	M24 x 1.5 mm	1	3371 8137 10
18	Screw	M10 x 35 mm	4	3371 8147 23
19	O-ring	Ø 0.71 x 0.08 in. Ø 18 x 2 mm	4	3371 8207 03
20	Spool socket		1	3371 8202 67
21	O-ring	Ø 0.94 x 0.06 in. Ø 24 x 1.5 mm	1	3371 8207 02
22	Spool		1	3371 8202 69
23	Guide socket		1	3371 8202 66
24	O-ring	Ø 0.99 x 0.07 in. Ø 25.1 x 1.8 mm	1	3371 8207 62
25	O-ring	Ø 1.18 x 0.08 in. Ø 30 x 2 mm	1	3371 8207 04
26	O-ring	Ø 1.26 x 0.08 in. Ø 32 x 2 mm	1	3371 8207 05
27	Seal ring	½ in. BSP 12.5 mm BSP	2	3371 8057 14
28	Nipple, standard	(T) For 30 lpm ½ in. BSP	1	3371 8057 11
29	Nipple, standard	(T) For 30 lpm ½ in. BSP	1	3371 8057 11
30	Nipple, optional	(T) For 20 lpm ½ in. BSP	1	3371 8180 20
31	Trigger rod		1	3371 8201 36
32	Packing gland		1	3371 8141 20
33	Spring		1	3371 8201 37
34	O-ring	Ø 0.33 x 0.09 in. Ø 8.3 x 2.4 mm	1	3371 8147 00
35	O-ring	Ø 0.64 x 0.09 in. Ø 16.3 x 2.4 mm	1	3371 8147 02
36	Seal	Ø 0.71 x 0.55 x 0.14 x 0.20 in. Ø 18 x 14 x 3.5 x 5 mm	1	3371 8055 03
37	Back-up ring		1	3371 8147 01
38	Circlip		1	3371 8147 12
39	Circlip		2	3371 8147 32
40	Shim	PS 0.31 x 0.55 x 0.02 in. PS 8 x 14 x 0.5 mm	1	3371 8207 00
41	Trigger spool		1	3371 8201 08
42	Protective cap	½ in. BSP 12.5 mm BSP	2	3371 8137 09
43	O-ring	Ø 0.24 x 0.08 in. Ø 6 x 2 mm	1	3371 8177 57

No.	Description	Remark	Quantity	Part number
44	O-ring	Ø 0.31 x 0.08 in. Ø 8 x 2 mm	1	3376 1000 84
45	Seal	Ø 1.26 x 1.57 x 0.24 in. Ø 32 x 40 x 6 mm	1	3371 8201 76
46	Back-up washer	Ø 1.29 x 1.77 x 0.10 in. Ø 32.7 x 45 x 2.5 mm	1	3371 8201 67
47	Lock ring		1	3371 8207 27
48	Wiper		2	3371 8207 08
49	Lock ring		2	3371 8207 40
50	O-ring	Ø 3.23 x 0.06 in. Ø 82 x 1.5 mm	1	3371 8207 25
51	O-ring	Ø 0.63 x 0.06 in. Ø 16 x 1.5 mm	1	3371 8207 26
52	O-ring	Ø 0.51 x 0.06 in. Ø 13 x 1.5 mm	1	3371 8147 49
53	Back-up washer		4	3371 8157 35
54	Piston		1	3371 8202 11
55	Accumulator cover		1	3371 8140 66
56	Data plate		1	-





# LH 270 HBP, 280 E HBP

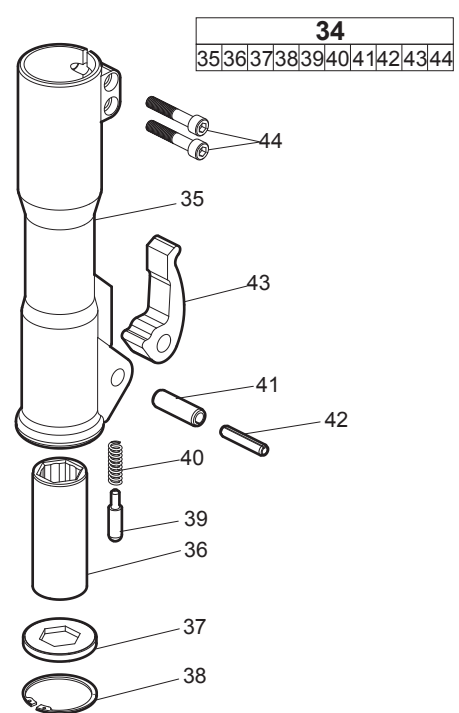
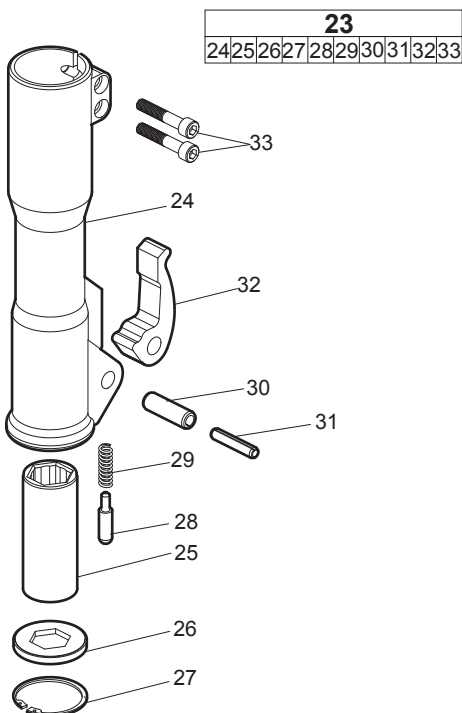
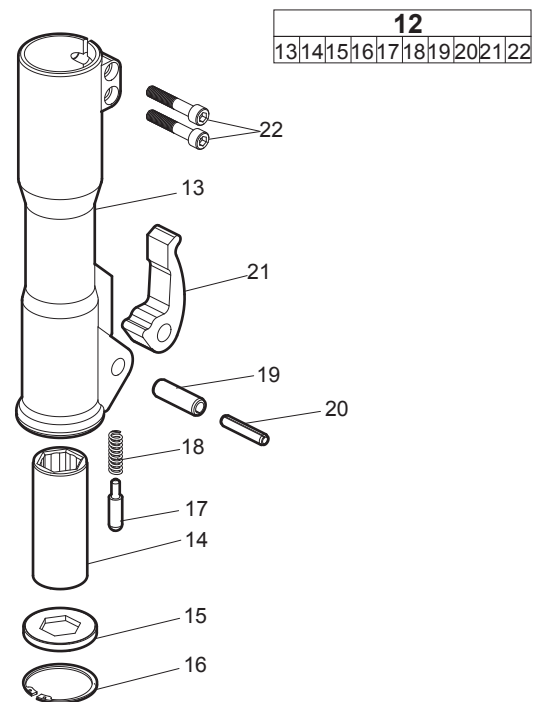
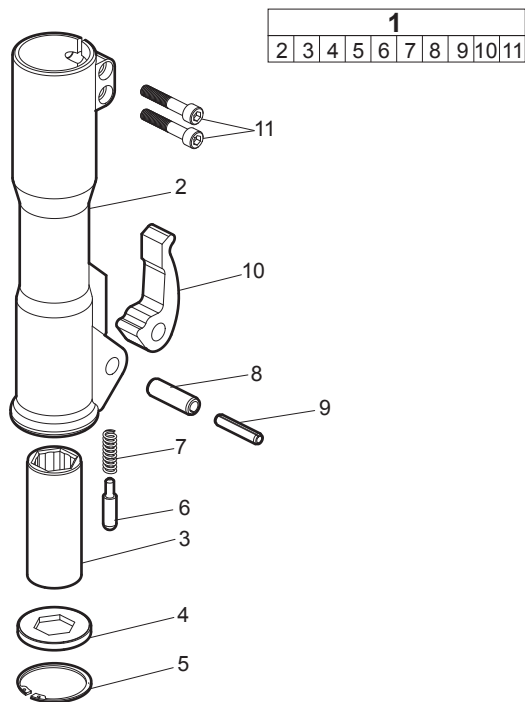


No.	Description	Remark	Quantity	Part number
1	Accumulator cover		1	3371 8210 27
<b>2(3-7)</b>	<b>Valve housing, complete</b>		1	3371 8210 84
3	Valve housing		1	-
4	Air filter		1	3371 8212 42
5	Air vent screw		1	3371 8212 41
6	Fitting		5	3371 8147 33
7	Fitting		2	3371 8131 41
<b>8(9-11)</b>	<b>Cylinder, complete</b>		1	3371 8210 88
9	Cylinder		1	-
10	Fitting		1	3371 8147 33
11	Fitting		1	3371 8131 41
12	Diaphragm		1	3371 8140 52
13	Seal ring	Ø 0.34 x 0.51 x 0.04 in. Ø 8.7 x 13 x 1 mm	1	3371 8147 09
14	Protective cap	M24 x 1.5 mm	1	3371 8137 10
15	Charging screw		1	3371 8131 03
16	Accumulator cover		1	3371 8140 66
17	Screw	M10 x 30 mm	4	3371 8177 20
18	Spool socket		1	3371 8202 67
19	Spool		1	3371 8211 14
20	O-ring	Ø 0.94 x 0.06 in. Ø 24 x 1.5 mm	1	3371 8207 02
21	O-ring	Ø 0.71 x 0.08 in. Ø 18 x 2 mm	4	3371 8207 03
22	O-ring	Ø 1.18 x 0.08 in. Ø 30 x 2 mm	1	3371 8207 04
23	O-ring	Ø 1.26 x 0.08 in. Ø 32 x 2 mm	1	3371 8207 05
24	Screw	M10 x 35 mm	4	3371 8147 23
25	O-ring	Ø 0.24 x 0.08 in. Ø 6 x 2 mm	1	3371 8177 57
26	Back-up washer		4	3371 8157 35
27	O-ring	Ø 0.31 x 0.08 in. Ø 8 x 2 mm	1	3376 1000 84
28	Protective cap	½ in. BSP 12.5 mm BSP	2	3371 8137 09
29	Nipple, optional	(T) For 20 l/min at back pressure between 10 - 35 bar	1	3371 8180 21
30	Nipple, optional	(T) For 20 l/min at back pressure <10 bar	1	3371 8180 22
31	Nipple, optional	(T) For 20 l/min at back pressure between 10 - 35 bar	1	3371 8180 21
32	Nipple, standard	(T) For 30 l/min at back pressure between 10 - 35 bar	1	3371 8057 11
33	Seal ring	½ in. BSP 12.5 mm BSP	2	3371 8057 14
34	Nipple, standard	(T) For 30 l/min at back pressure between 10 - 35 bar	1	3371 8057 11
35	Shim	PS 0.31 x 0.55 x 0.02 in. PS 8 x 14 x 0.5 mm	1	3371 8207 00
36	Trigger spool		1	3371 8201 08
37	Trigger rod		1	3371 8201 36
38	Seal	Ø 0.71 x 0.55 x 0.14 x 0.20 in. Ø 18 x 14 x 3.5 x 5 mm	1	3371 8055 03
39	Back-up ring		1	3371 8147 01
40	Spring		1	3371 8201 37
41	Circlip		2	3371 8147 32
42	Circlip		1	3371 8147 12

No.	Description	Remark	Quantity	Part number
43	O-ring	Ø 0.64 x 0.09 in. Ø 16.3 x 2.4 mm	1	3371 8147 02
44	Packing gland		1	3371 8141 20
45	O-ring	Ø 0.33 x 0.09 in. Ø 8.3 x 2.4 mm	1	3371 8147 00
46	O-ring	Ø 0.99 x 0.07 in. Ø 25.1 x 1.8 mm	1	3371 8207 62
47	Guide socket		1	3371 8211 13
48	Piston		1	3371 8212 15
49	O-ring	Ø 1.10 x 0.12 in. Ø 28 x 3 mm	1	3371 8217 10
50	Back-up ring		1	3371 8217 09
51	Wiper	Ø 1.26 x 1.77 x 0.28 x 0.39 in. Ø 32 x 45 x 7 x 10 mm	1	3371 8207 08
52	Locking ring		1	3371 8207 27
53	Back-up washer	Ø 1.29 x 1.77 x 0.10 in. Ø 32.7 x 45 x 2.5 mm	1	3371 8201 67
54	Seal	Ø 1.26 x 1.57 x 0.24 in. Ø 32 x 40 x 6 mm	1	3371 8201 76
55	Locking ring		1	3371 8207 40
56	O-ring	Ø 3.23 x 0.06 in. Ø 82 x 1.5 mm	1	3371 8207 25
57	O-ring	Ø 0.63 x 0.06 in. Ø 16 x 1.5 mm	1	3371 8207 26
58	O-ring	Ø 0.51 x 0.06 in. Ø 13 x 1.5 mm	1	3371 8147 49
59	Data plate		1	-



# Nose parts



No.	Description	Remark	Quantity	Part number
<b>1(2-11)</b>	<b>Nose part, complete</b>		1	3371 8210 13
2	Nose part	Hexagon 1½ x 6 in. Hexagon 28 x 152 mm	1	-
3	Bushing	Hexagon 1½ x 6 in. Hexagon 28 x 152 mm	1	3371 8202 17
4	Chisel bellows		1	3371 8202 19
5	Lock ring	Ø 2.52 x 0.08 in. Ø 64 x 2 mm	1	3371 8207 37
6	Lock pin		1	3371 8020 73
7	Spring		1	3371 8020 75
8	Roll pin	Ø 0.63 x 1.97 in. Ø 16 x 50 mm	1	3371 8157 30
9	Roll pin	Ø 0.39 x 1.97 in. Ø 10 x 50 mm	1	3371 8157 31
10	Latch		1	3371 8201 45
11	Screw	M10 x 55 mm	2	3371 8147 24
<b>12(13-22)</b>	<b>Nose part, complete</b>		1	3371 8210 19
13	Nose part	Hexagon 1½ x 6¼ in. Hexagon 28 x 160 mm	1	-
14	Bushing	Hexagon 1½ x 6¼ in. Hexagon 28 x 160 mm	1	3371 8202 18
15	Chisel bellows		1	3371 8202 19
16	Lock ring	Ø 2.52 x 0.08 in. Ø 64 x 2 mm	1	3371 8207 37
17	Lock pin		1	3371 8020 73
18	Spring		1	3371 8020 75
19	Roll pin	Ø 0.63 x 1.97 in. Ø 16 x 50 mm	1	3371 8157 30
20	Roll pin	Ø 0.39 x 1.97 in. Ø 10 x 50 mm	1	3371 8157 31
21	Latch		1	3371 8201 45
22	Screw	M10 x 55 mm	2	3371 8147 24
<b>23(24-33)</b>	<b>Nose part, complete</b>		1	3371 8210 14
24	Nose part	Hexagon 1¼ x 6 in. Hexagon 32 x 152 mm	1	-
25	Bushing	Hexagon 1¼ x 6 in. Hexagon 32 x 152 mm	1	3371 8202 12
26	Chisel bellows		1	3371 8201 92
27	Lock ring	Ø 2.52 x 0.08 in. Ø 64 x 2 mm	1	3371 8207 37
28	Lock pin		1	3371 8020 73
29	Spring		1	3371 8020 75
30	Roll pin	Ø 0.63 x 1.97 in. Ø 16 x 50 mm	1	3371 8157 30
31	Roll pin	Ø 0.39 x 1.97 in. Ø 10 x 50 mm	1	3371 8157 31
32	Latch		1	3371 8201 45
33	Screw	M10 x 55 mm	2	3371 8147 24
<b>34(35-44)</b>	<b>Nose part, complete</b>		1	3371 8210 11
35	Nose part	Hexagon 1¼ x 6¼ in. Hexagon 32 x 160 mm	1	-
36	Bushing	Hexagon 1¼ x 6¼ in. Hexagon 32 x 160 mm	1	3371 8201 94
37	Chisel bellows		1	3371 8201 92
38	Lock ring	Ø 2.52 x 0.08 in. Ø 64 x 2 mm	1	3371 8207 37
39	Lock pin		1	3371 8020 73
40	Spring		1	3371 8020 75

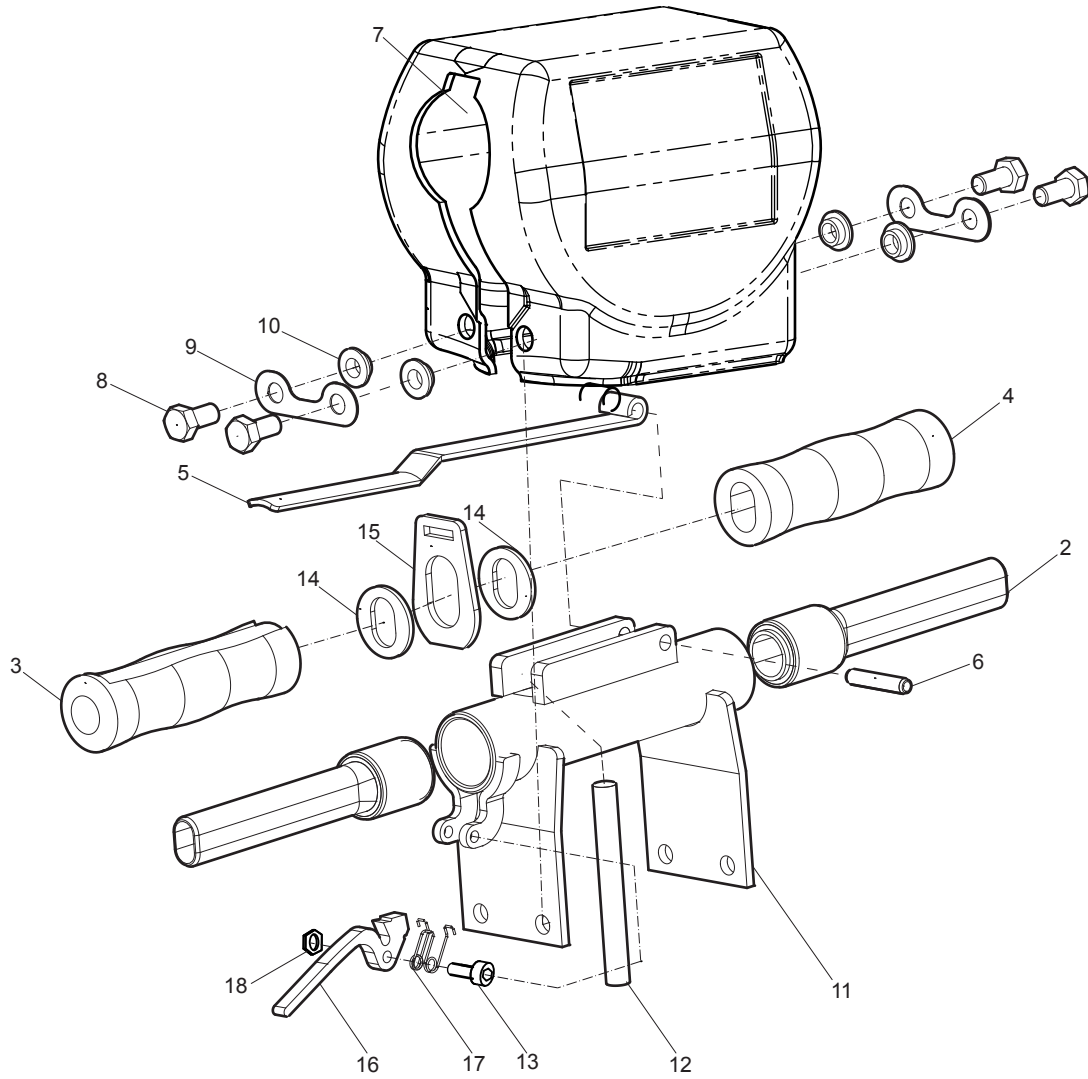
No.	Description	Remark	Quantity	Part number
41	Roll pin	Ø 0.63 x 1.97 in. Ø 16 x 50 mm	1	3371 8157 30
42	Roll pin	Ø 0.39 x 1.97 in. Ø 10 x 50 mm	1	3371 8157 31
43	Latch		1	3371 8201 45
44	Screw	M10 x 55 mm	2	3371 8147 24





# Handle standard

<b>1</b>																	
2	3	4	5	6	7	8	9	10	11	12	13	14	15	16	17	18	

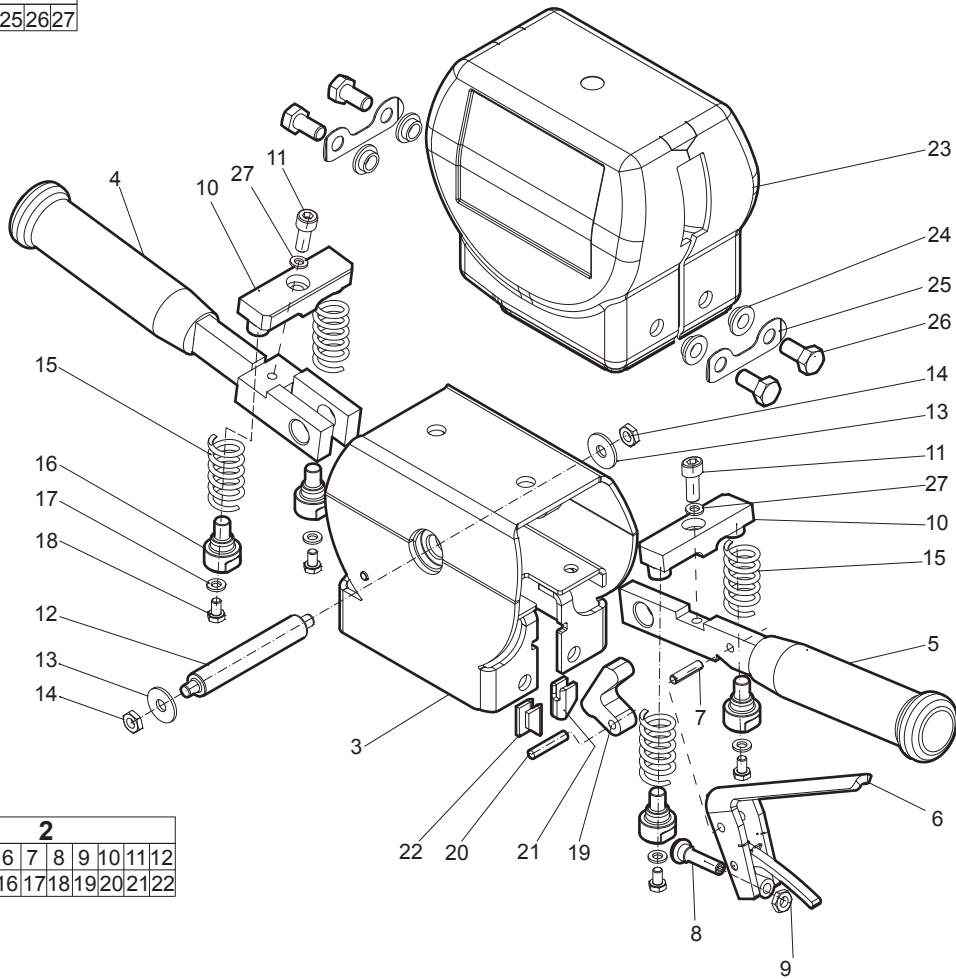


No.	Description	Remark	Quantity	Part number
1(2-18)	Handle standard, complete	With plastic cover	1	3371 8212 08
2	Handle standard		2	3371 8202 04
3	Rubber handle		1	3371 8201 35
4	Rubber handle		1	3371 8201 34
5	Trigger	Standard	1	3371 8202 38
6	Roll pin	Ø 0.31 x 1.6 in. Ø 8 x 40 mm	1	3371 8157 33
7	Top cover		1	3371 8212 02
8	Screw	M10 x 20 mm	4	3371 8157 22
9	Nab		2	3371 8151 31
10	Spacer		4	3371 8151 13
11	Bracket		1	3371 8202 03
12	Nylon guide		1	3371 8202 07
13	Screw	M6 x 30 mm	1	3378 2060 44
14	Washer nylon	Ø 0.83 x 1.46 x 0.12 in. Ø 21 x 37 x 3 mm	2	3371 8207 47
15	Lock plate		1	3371 8202 37
16	Safety trigger		1	3371 8202 36
17	Spring		1	3371 8201 52
18	Nut	M6	1	3371 8147 16

# E-handle

<b>1</b>						
<b>2</b>	23	24	25	26	27	

<b>2</b>											
3	4	5	6	7	8	9	10	11	12	13	14
15	16	17	18	19	20	21	22				



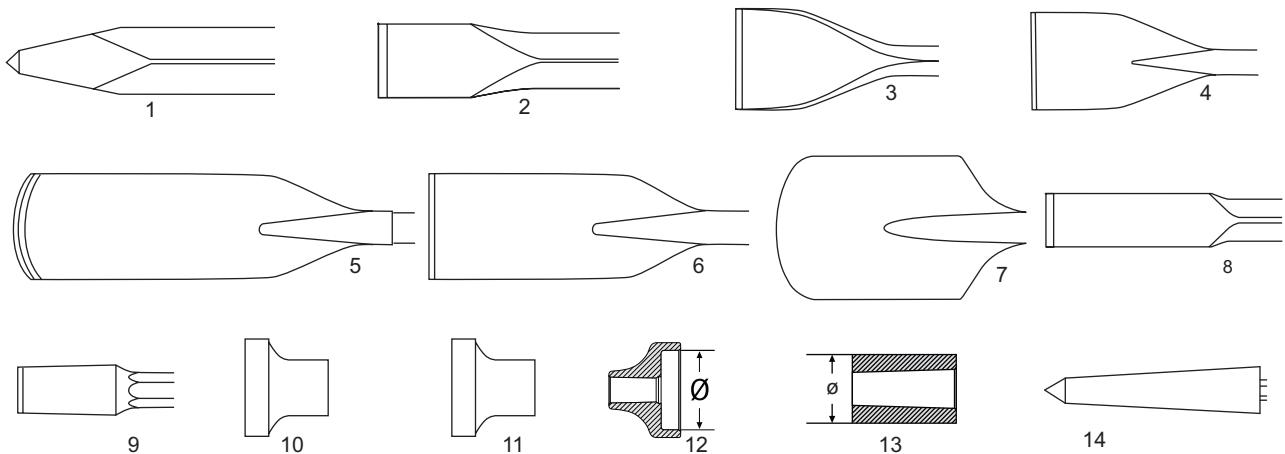
No.	Description	Remark	Quantity	Part number
1(2,23-27)	E-handle, complete	With plastic cover	1	3371 8212 06
2(3-22)	E-handle, complete	Without plastic cover	1	3371 8210 65
3	Frame		1	3371 8212 05
4	Handle		1	3371 8211 73
5	Handle		1	3371 8211 72
6	Trigger lever		1	3371 8212 00
7	Roll pin	Ø 0.24 x 0.94 in. Ø 6 x 24 mm	1	3371 8207 12
8	Thrust pad	With screw M8	1	3371 8210 68
9	Nut	M8	1	3371 8207 22
10	Stopper		2	3371 8211 77
11	Screw	M8 x 25 mm	2	3371 8051 55
12	Pin		1	3371 8211 84
13	Washer	Ø 0.31 in. Ø 8 mm	2	3377 1040 08
14	Nut	M8	2	3371 8207 22
15	Spring		4	3371 8211 78
16	Spring guide		4	3371 8211 75
17	Washer	Ø 0.24 in. Ø 6 mm	4	3377 0004 07
18	Screw	M6 x 10 mm	4	3371 8177 24
19	Trigger pawl		1	3371 8211 76
20	Pin	Ø 0.24 x 1.18 in. Ø 6 x 30 mm	1	3371 8207 11
21	Pin latch right		1	3371 8201 47
22	Pin latch left		1	3371 8201 48
23	Top cover		1	3371 8211 83
24	Spacer		4	3371 8151 13
25	Nab		2	3371 8151 31
26	Screw	M10 x 25 mm	4	3378 0341 02
27	Lock washer	Ø 0.31 in. Ø 8 mm	2	3315 0195 04

## Tightening torque

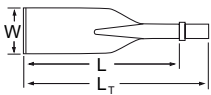
Description	Tightening torque (Nm)	Remark	Part number
Screw	70	LOCTITE® 245™	3371 8177 20
Screw	80	LOCTITE® 245™	3371 8147 23
Guide socket	100	LOCTITE® 245™	3371 8202 66
Guide socket HBP	100	LOCTITE® 245™	3371 8211 13
Spool socket	100	LOCTITE® 245™	3371 8202 67
Nipple	55	-	3371 8057 11
Fitting	-	LOCTITE® 245™	3371 8147 33
Fitting	-	LOCTITE® 245™	3371 8131 41
Bushing	-	LOCTITE® 648 (275)™	3371 8201 91
Screw	60	LOCTITE® 245™	3371 8147 24
Bushing	-	LOCTITE® 648 (275)™	3371 8202 18
Bushing	-	LOCTITE® 648 (275)™	3371 8202 12
Bushing	-	LOCTITE® 648 (275)™	3371 8201 94
Charging screw	30	-	3371 8131 03

LOCTITE is a registered trademark of Henkel Corporation. 245, 275, 648 are trademarks of Henkel Corporation.

## Working tools



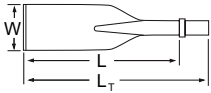
### US standard hexagon 1 $\frac{1}{8}$ x 6 in. (28 x 152 mm)



Flat to flat

No.	Description	W (in.)	L (in.)	L <sub>T</sub> (in.)	Wt (lb)	Part number
1	Moil point	-	14	20	6.0	3083 3267 00
		-	18	24	7.1	3083 4015 10
		-	24	30	9.0	3083 4015 20
		-	36	42 $\frac{1}{2}$	12.8	3083 4015 30
2	Narrow chisel	-	14	20	6.0	3083 3268 00
		-	18	24	7.1	3083 4016 10
		-	24	30 $\frac{1}{2}$	9.0	3083 4016 20
		-	36	42 $\frac{1}{2}$	12.8	3083 4016 30
3	Wide chisel	3	15	21	6.8	3083 3289 00
		3	18	24	7.7	3083 4017 00
		3	24	31	9.5	3083 4017 10
		3	36	42 $\frac{1}{2}$	13.0	3083 4017 20
4	Asphalt cutter	4 $\frac{1}{2}$	11	17 $\frac{1}{2}$	7.7	3083 4019 00
		5	13	19 $\frac{1}{2}$	9.0	3083 3290 00
5	Digging chisel	3	15	21	9.0	3083 3291 00
6	Digging spade	5	13	19	9.0	3083 3292 00
7	Clay spade	5 $\frac{1}{2}$	15	21	9.9	3083 3293 00
8	Wedge chisel	2	16	22	11.0	3083 3294 00
9	Shaft for tamping pad	-	9	16	6.4	3083 3269 00
10	Tamping pad, round	Ø7	-	-	15.7	3083 3301 00
11	Tamping pad, square	6	-	-	18.1	3083 3302 00
		8	-	-	22.0	3083 3197 00
12	Driving pad	Ø4 $\frac{3}{4}$	-	-	16.8	3376 1120 79
		Ø6	-	-	19.2	3376 1120 77
13	Driver blank	Ø3	-	-	7.5	9245 2827 10

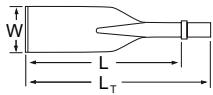
## US standard hexagon 1 $\frac{1}{8}$ x 6 $\frac{1}{4}$ in. (28 x 160 mm)



No.	Description	W (in.)	L (in.)	L <sub>T</sub> (in.)	Wt (lb)	Part number
1	Moil point	-	15	21	6.4	3083 3271 00
		-	18	24	7.1	3083 3272 00
		-	39	46	13.7	3083 3273 00
2	Narrow chisel	-	15	21	6.2	3083 3274 00
		-	18	24	7.3	3083 3275 00
		-	39	46	14.1	3083 3276 00
3	Wide chisel	3	15	21	6.6	3083 3277 00
4	Asphalt cutter	5	12	18	8.2	3083 3278 00
5	Digging chisel	3	15	21	9.0	3083 3279 00
6	Digging spade	5	15	21	10.1	3083 3280 00
7	Clay spade	6	15	21	9.0	3083 3281 00
8	Wedge chisel	2	16	22	8.6	3083 3282 00
9	Shaft for tamping pad	-	9	16	6.6	3083 3283 01
10	Tamping pad, round	Ø7	-	-	15.7	3083 3301 00
11	Tamping pad, square	6	-	-	18.1	3083 3302 00
		8	-	-	22.0	3083 3197 00
12	Driving pad	Ø5	-	-	16.8	3376 1120 79
		Ø6	-	-	19.2	3376 1120 77
13	Driver blank	Ø3	-	-	7.5	9245 2827 10



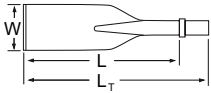
## US standard hexagon 1¼ x 6 in. (32 x 152 mm)



Flat to flat

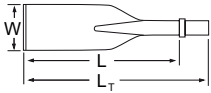
No.	Description	W (in.)	L (in.)	L <sub>T</sub> (in.)	Wt (lb)	Part number
1	Moil point	-	14	20	7.3	3083 3285 00
		-	18	24	8.6	3083 4000 10
		-	24	30½	11.2	3083 4000 20
		-	36	42½	15.4	3083 4000 30
2	Narrow chisel	-	14	20	7.0	3083 3286 00
		-	18	24	8.4	3083 4001 10
		-	24	30½	10.8	3083 4001 20
		-	36	42½	15.4	3083 4001 30
3	Wide chisel	3	15	20	7.9	3083 3295 00
		3	18	24	9.3	3083 4002 00
		3	24	30½	11.2	3083 4002 10
		3	36	42½	14.8	3083 4002 20
4	Asphalt cutter	4½	12	18½	8.8	3083 4004 00
		5	13	19½	9.0	3083 3296 00
5	Digging chisel	3	15	21	9.9	3083 3297 00
6	Digging spade	5	13	19	9.5	3083 3298 00
7	Clay spade	5½	15	21	11.7	3083 3299 00
8	Wedge chisel	2	16	22	11.5	3083 3300 00
9	Shaft for tamping pad	-	9	16	6.8	3083 3287 00
10	Tamping pad, round	Ø7	-	-	15.7	3083 3301 00
11	Tamping pad, square	6	-	-	18.1	3083 3302 00
		8	-	-	22.0	3083 3197 00
12	Driving pad	Ø4¾	-	-	16.8	3376 1120 79
		Ø6	-	-	19.2	3376 1120 77
13	Driver blank	Ø3	-	-	7.5	9245 2827 10

## US standard hexagon 1¼ x 6¼ in. (32 x 160 mm)



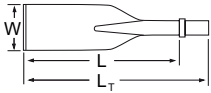
No.	Description	W (in.)	L (in.)	L <sub>T</sub> (in.)	Wt (lb)	Part number
1	Moil point	-	15	21	8	3083 3205 00
		-	18	24	9	3083 3206 00
		-	39	46	17	3083 3207 00
2	Narrow chisel	-	15	21	8	3083 3208 00
		-	18	24	9	3083 3209 00
		-	39	46	17	3083 3210 00
3	Wide chisel	3	15	21	8	3083 3211 00
4	Asphalt cutter	5	12	18	9	3083 3212 00
5	Digging chisel	3	15	21	10	3083 3213 00
6	Digging spade	5	15	21	11	3083 3214 00
7	Clay spade	6	15	21	10	3083 3215 00
8	Wedge chisel	2	16	22	8	3083 3216 00
9	Shaft for tamping pad	-	9	16	7	3083 3218 01
10	Tamping pad, round	Ø7	-	-	16	3083 3301 00
11	Tamping pad, square	6	-	-	18	3083 3302 00
		8	-	-	22	3083 3197 00
12	Driving pad	Ø5	-	-	17	3376 1120 79
		Ø6	-	-	19	3376 1120 77
13	Driver blank	Ø3	-	-	7	9245 2827 10

## ISO standard hexagon 28 x 152 mm (1<sup>1</sup>/<sub>8</sub> x 6 in.)



No.	Description	W (mm)	L (mm)	L <sub>T</sub> (mm)	Wt (kg)	Part number
1	Moil point	-	350	515	2.7	3083 3267 00
		-	450	615	3.2	3083 4015 10
		-	610	775	4.1	3083 4015 20
		-	915	1080	5.8	3083 4015 30
2	Narrow chisel	-	350	515	2.7	3083 3268 00
		-	450	615	3.2	3083 4016 10
		-	640	775	4.1	3083 4016 20
		-	915	1080	5.8	3083 4016 30
3	Wide chisel	75	380	545	3.1	3083 3289 00
		75	450	615	3.5	3083 4017 00
		75	610	775	4.3	3083 4017 10
		75	915	1080	5.9	3083 4017 20
4	Asphalt cutter	115	280	445	3.5	3083 4019 00
		125	330	495	4.1	3083 3290 00
5	Digging chisel	75	380	545	4.1	3083 3291 00
6	Digging spade	125	320	180	4.1	3083 3292 00
7	Clay spade	140	380	545	4.5	3083 3293 00
8	Wedge chisel	50	400	565	5.0	3083 3294 00
9	Shaft for tamping pad	-	230	395	2.9	3083 3269 00
10	Tamping pad, round	Ø180	-	-	7.1	3083 3301 00
11	Tamping pad, square	150	-	-	8.2	3083 3302 00
		200	-	-	10.2	3083 3197 00
12	Driver pad	Ø120	-	-	7.6	3376 1120 79
		Ø150	-	-	8.7	3376 1120 77
13	Driver blank	Ø80	-	-	3.4	9245 2827 10

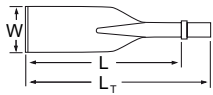
## ISO standard hexagon 28 x 160 mm (1<sup>1</sup>/<sub>8</sub> x 6<sup>1</sup>/<sub>4</sub> in.)



Point to flat

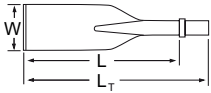
No.	Description	W (mm)	L (mm)	L <sub>T</sub> (mm)	Wt (kg)	Part number
1	Moil point	-	380	545	2.9	3083 3271 00
		-	450	615	3.2	3083 3272 00
		-	1000	1165	6.2	3083 3273 00
2	Narrow chisel	-	380	545	2.8	3083 3274 00
		-	450	615	3.3	3083 3275 00
		-	1000	1165	6.4	3083 3276 00
3	Wide chisel	75	380	545	3.0	3083 3277 00
4	Asphalt cutter	115	300	465	3.7	3083 3278 00
5	Digging chisel	75	380	545	4.1	3083 3279 00
6	Digging spade	125	380	545	4.6	3083 3280 00
7	Clay spade	140	380	545	4.1	3083 3281 00
8	Wedge chisel	40	400	565	3.9	3083 3282 00
9	Shaft for tamping pad	-	230	395	3.0	3083 3283 01
10	Tamping pad, round	Ø180	-	-	7.1	3083 3301 00
11	Tamping pad, square	150	-	-	8.2	3083 3302 00
		200	-	-	10.0	3083 3197 00
12	Driving pad	Ø120	-	-	7.6	3376 1120 79
		Ø150	-	-	8.7	3376 1120 77
13	Driver blank	Ø80	-	-	3.4	9245 2827 10

## ISO standard hexagon 32 x 152 mm (1¼ x 6 in.)



No.	Description	W (mm)	L (mm)	L <sub>T</sub> (mm)	Wt (kg)	Part number
1	Moil point	-	355	520	3.3	3083 3285 00
		-	450	615	3.9	3083 4000 10
		-	610	775	5.1	3083 4000 20
		-	915	1080	7.0	3083 4000 30
2	Narrow chisel	-	355	520	3.2	3083 3286 00
		-	450	615	3.8	3083 4001 10
		-	610	775	4.9	3083 4001 20
		-	915	1080	7.0	3083 4001 30
3	Wide chisel	75	380	545	3.6	3083 3295 00
		75	450	615	4.2	3083 4002 00
		75	610	775	5.1	3083 4002 10
		75	915	1080	6.7	3083 4002 20
4	Asphalt cutter	115	305	470	4.0	3083 4004 00
		125	330	495	4.1	3083 3296 00
5	Digging chisel	75	380	545	4.5	3083 3297 00
6	Digging spade	125	320	485	4.3	3083 3298 00
7	Clay spade	140	380	545	5.3	3083 3299 00
8	Wedge chisel	50	400	565	5.2	3083 3300 00
9	Shaft for tamping pad	-	230	395	3.1	3083 3287 00
10	Tamping pad, round	Ø180	-	-	7.1	3083 3301 00
11	Tamping pad, square	150	-	-	8.2	3083 3302 00
		200	-	-	10.0	3083 3197 00
12	Driving pad	Ø120	-	-	7.6	3376 1120 79
		Ø150	-	-	8.7	3376 1120 77
13	Driver blank	Ø80	-	-	3.4	9245 2827 10

## ISO standard hexagon 32 x 160 mm (1¼ x 6¼ in.)



Point to flat

No.	Description	W (mm)	L (mm)	L <sub>T</sub> (mm)	Wt (kg)	Part number
1	Moil point	-	380	545	3.5	3083 3205 00
		-	450	615	3.9	3083 3206 00
		-	1000	1165	7.6	3083 3207 00
2	Narrow chisel	-	380	545	3.5	3083 3208 00
		-	450	615	4.0	3083 3209 00
		-	1000	1165	7.5	3083 3210 00
3	Wide chisel	75	380	545	3.7	3083 3211 00
4	Asphalt cutter	115	300	465	4.0	3083 3212 00
5	Digging chisel	75	380	545	4.4	3083 3213 00
6	Digging spade	125	380	545	4.9	3083 3214 00
7	Clay spade	140	380	545	4.4	3083 3215 00
8	Wedge chisel	40	400	565	3.8	3083 3216 00
9	Shaft for tamping pad	-	235	400	3.1	3083 3218 01
10	Tamping pad, round	Ø180	-	-	7.1	3083 3301 00
11	Tamping pad, square	150	-	-	8.2	3083 3302 00
		200	-	-	10.0	3083 3197 00
12	Driving pad	Ø120	-	-	7.6	3376 1120 79
		Ø150	-	-	8.7	3376 1120 77
13	Driver blank	Ø80	-	-	3.4	9245 2827 10

# Accessories

## Hoses and couplings

Description	Remark	Quantity	Part number
<b>Connection hose, complete</b>	Ø ½ in. L = 16 in. Ø 12.5 mm L = 0.4 m	1	3371 8010 83
Hose	Ø ½ in. L = 16 in. Ø 12.5 mm L = 0.4 m	2	3371 8030 50
Seal ring	Bonded seal ½ in. BSP	2	3371 8057 14
Quick-release coupling	Female ½ in. BSP	1	3371 8051 33
Quick-release coupling	Male ½ in. BSP	1	3371 8051 34
Protective cap	Female	1	3371 8057 33
Protective cap	Male	1	3371 8057 32
<b>Twin hose, complete</b>	Ø ½ in. L = 276 in. Ø 12.5 mm L = 7 m	1	3371 8010 87
Seal ring	Bonded seal ½ in. BSP	4	3371 8057 14
Quick-release coupling	Female ½ in. BSP	2	3371 8051 33
Quick-release coupling	Male ½ in. BSP	2	3371 8051 34
Protective cap	Female	2	3371 8057 33
Protective cap	Male	2	3371 8057 32
Twin hose	Ø ½ in. L = 276 in. Ø 12.5 mm L = 7 m	1	3371 8030 52
<b>Connection hose, complete</b>	Ø ½ in. L = 62 in. Ø 12.5 mm L = 1.6 m	1	3371 8011 90
Hose	Ø ½ in. L = 62 in. Ø 12.5 mm L = 1.6 m	2	3371 8030 64
Seal ring	Bonded seal ½ in. BSP	2	3371 8057 14
Quick-release coupling	Female ½ in. BSP	1	3371 8051 33
Quick-release coupling	Male ½ in. BSP	1	3371 8051 34
Protective cap	Female	1	3371 8057 33
Protective cap	Male	1	3371 8057 32
Label "P"	Pressure side	1	3371 8021 15

# Kits

## Label kit

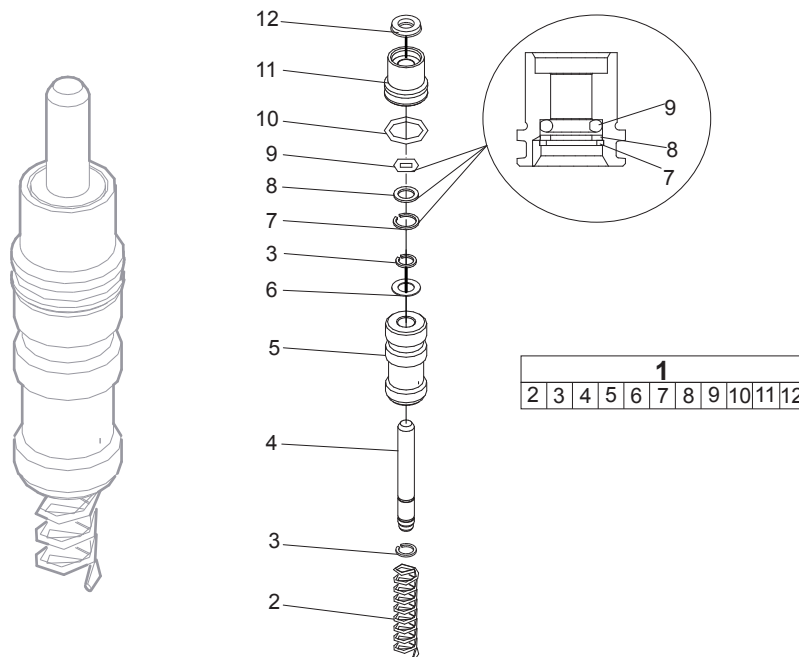
Description	Remark	Quantity	Part number
<b>Label kit</b>		1	3371 8210 97
Safety label		1	3371 8960 61
Pressure charge	"N <sub>2</sub> "	1	-
Product label	"Atlas Copco"	2	-
Product label	"LH 280 E"	1	-
Product label	"LH 270"	1	-
Product label	"HBP"	1	-
Noise level label		1	-
EHTMA Category C	20 lpm	1	-
EHTMA Category D	30 lpm	1	-
Shank size	"Shank size 28 x 160"	1	-
Shank size	"Shank size 32 x 152"	1	-
Shank size	"Shank size 32 x 160"	1	-



## Seal kit

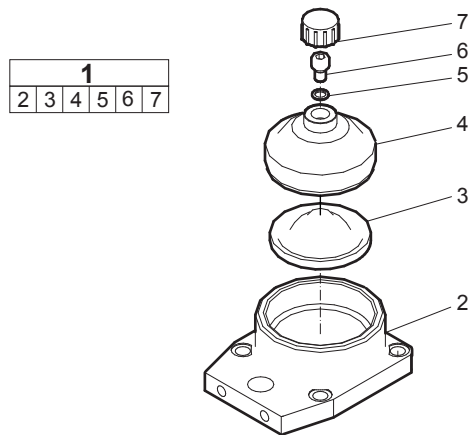
Description	Remark	Quantity	Part number
<b>Seal kit</b>		1	3371 8200 89
Seal ring	Ø 0.34 x 0.51 x 0.04 in. Ø 8.7 x 13 x 1 mm	1	3371 8147 09
Protective cap	M24 x 1.5 mm	1	3371 8137 10
O-ring	Ø 0.94 x 0.06 in. Ø 24 x 1.5 mm	1	3371 8207 02
O-ring	Ø 0.71 x 0.08 in. Ø 18 x 2 mm	4	3371 8207 03
O-ring	Ø 1.18 x 0.08 in. Ø 30 x 2 mm	1	3371 8207 04
O-ring	Ø 1.26 x 0.08 in. Ø 32 x 2 mm	1	3371 8207 05
O-ring	Ø 0.99 x 0.07 in. Ø 25.1 x 1.8 mm	1	3371 8207 62
Lock ring		1	3371 8207 40
Seal	Ø 1.26 x 1.57 x 0.24 in. Ø 32 x 40 x 6 mm	1	3371 8201 76
Wiper	Ø 1.26 x 1.77 x 0.28 x 0.39 in. Ø 32 x 45 x 7 x 10 mm	1	3371 8207 08
Seal ring	½ in. BSP	2	3371 8057 14
Circlip		2	3371 8147 32
Shim	PS 0.31 x 0.55 x 0.02 in. PS 8 x 14 x 0.5 mm	1	3371 8207 00
O-ring	Ø 0.33 x 0.09 in. Ø 8.3 x 2.4 mm	1	3371 8147 00
O-ring	Ø 0.64 x 0.09 in. Ø 16.3 x 2.4 mm	1	3371 8147 02
Seal		1	3371 8055 03
Back-up ring		1	3371 8147 01
Circlip		1	3371 8147 12
O-ring	Ø 0.24 x 0.08 in. Ø 6 x 2 mm	1	3371 8177 57
O-ring	Ø 0.31 x 0.08 in. Ø 8 x 2 mm	1	3371 1000 84
Seal ring	Ø 0.35 x 0.55 x 0.04 in. Ø 9 x 14 x 1 mm	1	3371 8207 18
O-ring	Ø 3.23 x 0.06 in. Ø 82 x 1.5 mm	1	3371 8207 25
O-ring	Ø 0.63 x 0.06 in. Ø 16 x 1.5 mm	1	3371 8207 26
O-ring	Ø 0.51 x 0.06 in. Ø 13 x 1.5 mm	1	3371 8147 49
Back-up washer	Ø 1.29 x 1.77 x 0.10 in. Ø 32.7 x 45 x 2.5 mm	1	3371 8201 67
Lock ring		1	3371 8207 27
Nab		2	3371 8151 31
O-ring	Ø 1.10 x 0.12 in. Ø 28 x 3 mm	1	3371 8217 09
Back-up ring	1.30 x 1.10 x 0.06 in. 33.1 x 28 x 1.5 mm	1	3371 8217 10
Air filter		1	3371 8212 42

## Trigger valve kit



No.	Description	Remark	Quantity	Part number
1(2-12)	Trigger valve kit		1	3371 8200 53
2	Spring		1	3371 8201 37
3	Circlip		2	3371 8147 32
4	Trigger rod		1	3371 8201 36
5	Trigger spool		1	3371 8201 08
6	Shim	PS 0.31 x 0.55 x 0.02 in. PS 8 x 14 x 0.5 mm	1	3371 8207 00
7	Circlip		1	3371 8147 12
8	Back-up ring		1	3371 8147 01
9	O-ring	Ø 0.33 x 0.09 in. Ø 8.3 x 2.4 mm	1	3371 8147 00
10	O-ring	Ø 0.64 x 0.09 in. Ø 16.3 x 2.4 mm	1	3371 8147 02
11	Packing gland		1	3371 8141 20
12	Seal		1	3371 8055 03

## Accumulator kit



No.	Description	Remark	Quantity	Part number
1(2-7)	<b>Accumulator kit</b>		1	3371 8210 24
2	Accumulator body		1	3371 8210 27
3	Diaphragm		1	3371 8140 52
4	Accumulator cover		1	3371 8140 66
5	Seal ring	Ø 0.34 x 0.51 x 0.04 in. Ø 8.7 x 13 x 1 mm	1	3371 8147 09
6	Charging screw		1	3371 8131 03
7	Protective cap		1	3371 8137 10









Any unauthorized use or copying of the contents or any part thereof is prohibited.  
This applies in particular to trademarks, model denominations, part numbers, and drawings.

© 2012 Atlas Copco Construction Tools AB | No. 3392 5221 01c | 2012-10-15

**Atlas Copco**

[www.atlascopco.com](http://www.atlascopco.com)